

# onward

lounge seating for behavioral health



# onward lounge bh

Onward's transitional style suits any behavioral health lounge setting. The inner steel seat frame is anchored to wood end frames with metal-to-metal fasteners. Onward Lounge features a wall-saver rear leg, clean-out spacing and optional wood, polyurethane or solid surface arm caps. The line includes a single lounge chair; bariatric version and 2- and 3-seaters with or without intervening arms.

## Features

- Limited Lifetime Warranty
- 14-gauge internal steel seat frame for enhanced structural integrity
- Wallsaver leg design protects walls from damage
- All fasteners are tamper-resistant
- Steel seat pan conceals upholstery staples
- Clean-out space between seat and back
- Nylon glides are non-removable and protect floors from damage

## Options

- Clean-out spacing on sides of seat cushion
- Choice of wood, polyurethane or solid surface arm caps
- Contrasting fabrics
- CALTB 133 Compliance
- Moisture Barrier



## features



Optional armcaps available in wood, polyurethane or solid surface



Ample clean-out spacing between seat and back



Wall saver rear leg design protects wall from damage

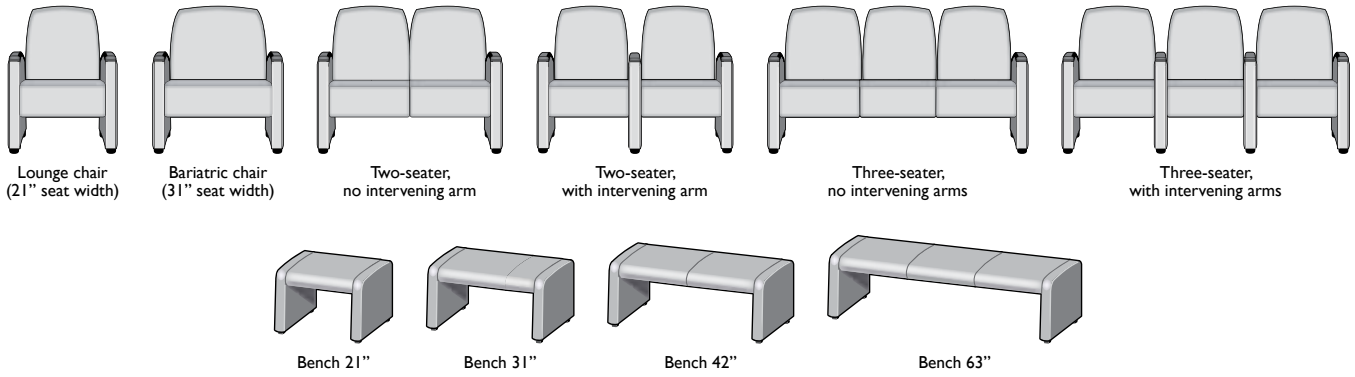


Low profile foot design enhances safety



Optional clean-out space between arm and seat cushion

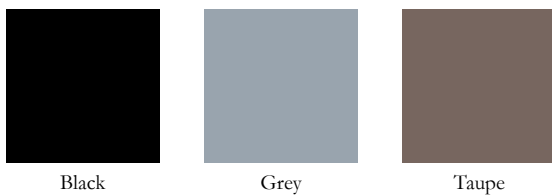
# Statement of Line



## Wood finish selection:



## Polyurethane arm cap finishes:



STANCE | HEALTHCARE

45 Goodrich Drive Kitchener, ON N2C 0B8 tel 1.877.395.2623 fax 1.877.395.6270 stancehealthcare.com  
S04-16 © Stance Healthcare Inc. all rights reserved.

