

marna

healthcare seating collection



# marna

The Marna Healthcare Seating Collection combines modern, minimalist aesthetics with robust engineering methods that exceed all necessary requirements for outstanding performance in healthcare environments.

## Features

- Limited Lifetime Warranty
- 14-gauge internal steel seat frame for enhanced structural integrity
- Seat and back upholstery covers are removable for cleaning
- Wood side frames are field-replaceable should they get damaged
- All configurations available in 21" and 24" seat widths
- Wall saver leg design protects walls from damage
- Clean-out space between seat and back

## Options

- Flex-back option available on 21" and 24" guest and patient chairs
- Choice of polyurethane or solid surface arm caps
- Custom wood frame finishes
- Contrasting fabrics
- CAL TB 133 Compliance
- Moisture Barrier



Stance Healthcare seating products are Level Certified. To learn more, visit [www.levelcertified.org](http://www.levelcertified.org).



## features



Optional arm cap available in choice of polyurethane or solid surface



Ample spacing between seat and back enables easier cleaning



C  
g





Optional flex-back available on guest and patient chair models

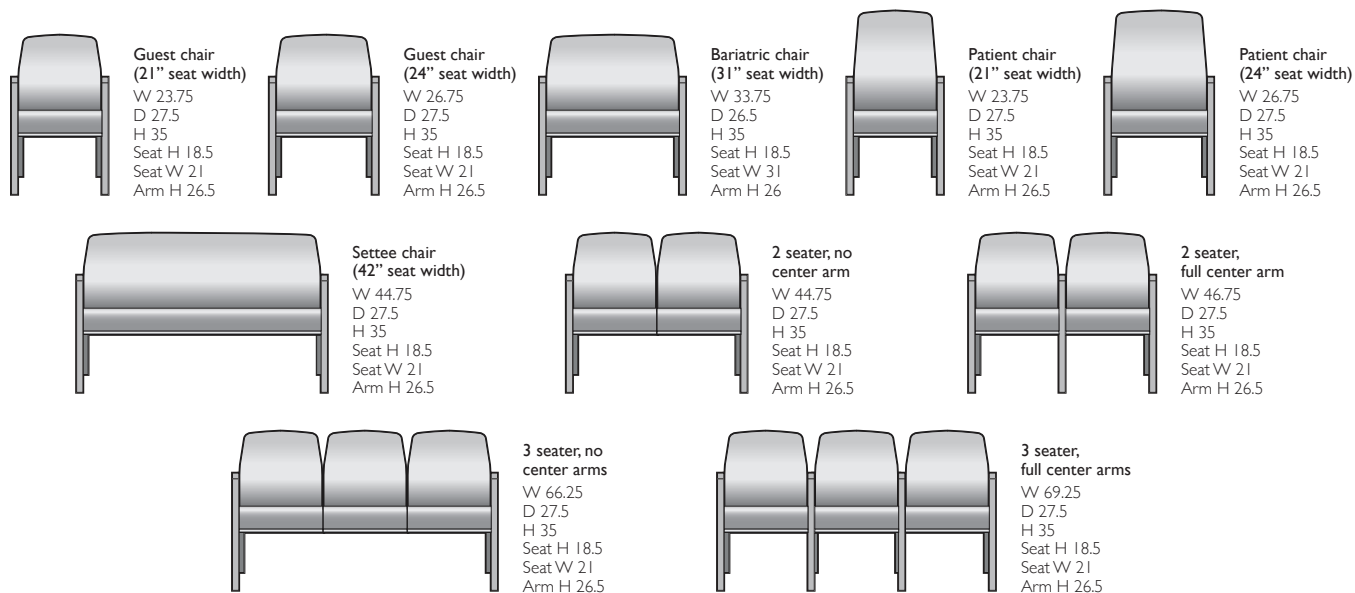


Wall saver rear leg design prevents damage to walls

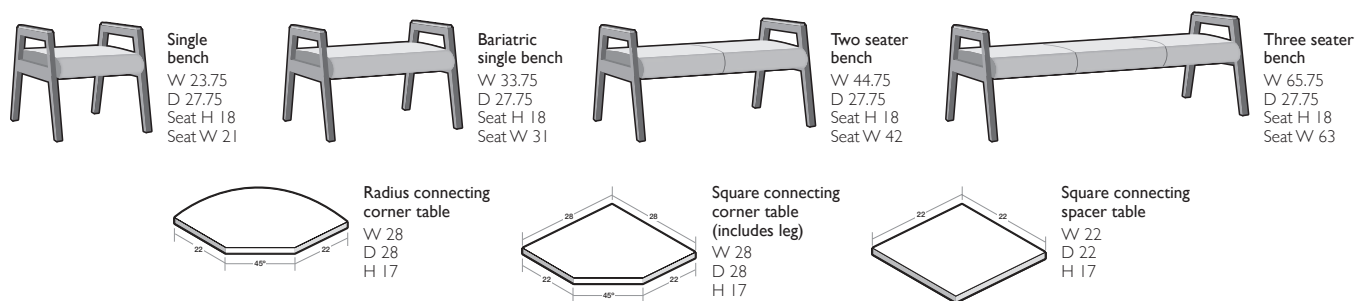


Seat and back upholstery covers are removable for easy cleaning or replacement

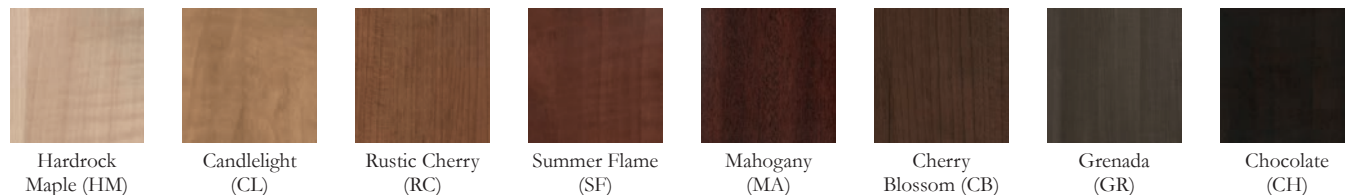
# Statement of Line



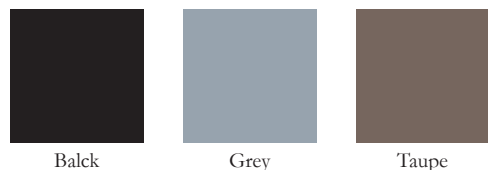
\*2 and 3 seaters available in 21" and 24" seat widths



## Wood finish selection:



## Polyurethane arm cap selection:



Marna Collection includes freestanding benches, available in 4 sizes.



STANCE | HEALTHCARE

45 Goodrich Drive    Kitchener, ON    N2C 0B8    tel 1.877.395.2623    fax 1.877.395.6270    stancehealthcare.com

S02-18    © Stance Healthcare Inc. all rights reserved.

