

# Onward Seating Collection

## Ordering Guide

When ordering Onward seating products, please specify the following information:



Specification codes must be added to unit Model No. as shown below.

Upholstery and additional options must be specified separately.

For connected seating requirements, please contact our sales office for pricing and assistance.

Specification code sample:

**ONG21-OA - SF - SB**

Model No.

Frame  
finish code

Back  
style code

\*Add -PA for optional polyurethane arm cap

### Specification Codes:

#### Wood finish codes:

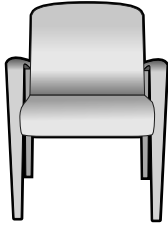
- Candlelight (CL)
- Cherry Blossom (CB)
- Chocolate (CH)
- Grenada (GR)
- Hard Rock Maple (HM)
- Mahogany (MA)
- Rustic Cherry (RC)
- Summer Flame (SF)

#### Back style codes:

- Square (SB)
- Round (RB)

# Onward Seating Collection

Different fabrics may be specified on the seat and on the back. In this case, use the higher grade of the two. No additional upcharge applies.



21" seat width

## Description

Guest chair - 21" seat width

**Open Arms, Model No. ONG21-OA**

**Closed Arms, Model No. ONG21-CA**

\* Add back shape code to model number:

- Square back (-SB)
- Round back (-RB)

## Dimensions

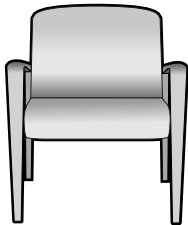
Width 24.5  
 Depth 25  
 Height 34.25  
 Seat Height 18.5  
 Seat Width 21  
 Arm Height 26.5  
 Com YD-Back: 1.25  
 Com YD-Seat: 0.75  
 Com YD-Arms: 1  
 Ship Weight 30  
 Cubic Feet 13

## COM

	1	2	3	4	5	6
<b>ONG21-OA</b>	<b>973</b>	<b>1058</b>	<b>1149</b>	<b>1240</b>	<b>1335</b>	<b>1428</b>
<b>ONG21-CA</b>	<b>1134</b>	<b>1268</b>	<b>1404</b>	<b>1546</b>	<b>1688</b>	<b>1833</b>

**Options:** • CAL 133 \$98.00/seat • Moisture barrier \$85.00/seat

**Arm Caps:** • Wood: Standard • Polyurethane: \$135.00 list/pair • Rigid Polyester: NA • Solid Surface: NA



24" seat width

## Description

Guest chair - 24" seat width

**Open Arms, Model No. ONG24-OA**

**Closed Arms, Model No. ONG24-CA**

\* Add back shape code to model number:

- Square back (-SB)
- Round back (-RB)

## Dimensions

Width 27.5  
 Depth 25  
 Height 34.25  
 Seat Height 18.5  
 Seat Width 24  
 Arm Height 26.5  
 Com YD-Back: 1.25  
 Com YD-Seat: 0.75  
 Com YD-Arms: 1  
 Ship Weight 34  
 Cubic Feet 15

## COM

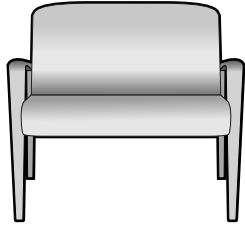
	1	2	3	4	5	6
<b>ONG24-OA</b>	<b>1038</b>	<b>1126</b>	<b>1216</b>	<b>1306</b>	<b>1399</b>	<b>1493</b>
<b>ONG24-CA</b>	<b>1199</b>	<b>1332</b>	<b>1467</b>	<b>1605</b>	<b>1746</b>	<b>1890</b>

**Options:** • CAL 133 \$98.00/seat • Moisture barrier \$85.00/seat

**Arm Caps:** • Wood: Standard • Polyurethane: \$135.00 list/pair • Rigid Polyester: NA • Solid Surface: NA

# Onward Seating Collection

Different fabrics may be specified on the seat and on the back. In this case, use the higher grade of the two. No additional upcharge applies.



31" seat width

## Description

Bariatric chair - 31" seat width

**Open Arms, Model No. ONB31-OA**

**Closed Arms, Model No. ONB31-CA**

\* Add back shape code to model number:

- Square back (-SB)
- Round back (-RB)

## Dimensions

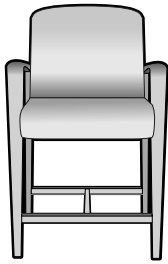
Width 34.5  
 Depth 25  
 Height 34.25  
 Seat Height 18.5  
 Seat Width 31  
 Arm Height 26.5  
 Com YD-Back: 1.75  
 Com YD-Seat: 1.25  
 Com YD-Arms: 1  
 IShip Weight 40  
 Cubic Feet 19

## COM

	1	2	3	4	5	6
<b>ONB31-OA</b>	<b>1292</b>	<b>1424</b>	<b>1559</b>	<b>1699</b>	<b>1840</b>	<b>1985</b>
<b>ONB31-CA</b>	<b>1456</b>	<b>1635</b>	<b>1816</b>	<b>2002</b>	<b>2194</b>	<b>2389</b>

**Options:** • CAL 133 \$98.00/seat • Moisture barrier \$85.00/seat

**Arm Caps:** • Wood: Standard • Polyurethane: \$135.00 list/pair • Rigid Polyester: NA • Solid Surface: NA



21" seat width

## Description

Hip chair - 21" seat width

**Open Arms, Model No. ONH21-OA**

**Closed Arms, Model No. ONH21-CA**

\* Add back shape code to model number:

- Square back (-SB)
- Round back (-RB)

## Dimensions

Width 24.5  
 Depth 25  
 Height 39.25  
 Seat Height 23.5  
 Seat Width 21  
 Arm Height 31.5  
 Com YD-Back: 1.25  
 Com YD-Seat: 0.75  
 Com YD-Arms: 1  
 Ship Weight 42  
 Cubic Feet 15

## COM

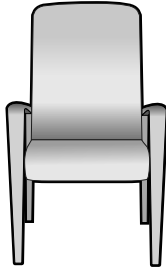
	1	2	3	4	5	6
<b>ONH21-OA</b>	<b>1628</b>	<b>1722</b>	<b>1817</b>	<b>1914</b>	<b>2012</b>	<b>2112</b>
<b>ONH21-CA</b>	<b>1788</b>	<b>1928</b>	<b>2069</b>	<b>2212</b>	<b>2360</b>	<b>2508</b>

**Options:** • CAL 133 \$98.00/seat • Moisture barrier \$85.00/seat

**Arm Caps:** • Wood: Standard • Polyurethane: \$135.00 list/pair • Rigid Polyester: NA • Solid Surface: NA

# Onward Seating Collection

Different fabrics may be specified on the seat and on the back. In this case, use the higher grade of the two. No additional upcharge applies.



21" seat width

## Description

Patient chair - 21" seat width  
**Open Arms, Model No. ONP21-OA**  
**Closed Arms, Model No. ONP21-CA**  
 \* Add back shape code to model number:  
 • Square back (-SB)  
 • Round back (-RB)

## Dimensions

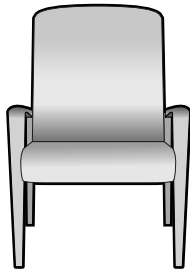
Width 24.5  
 Depth 25  
 Height 44.25  
 Seat Height 18.5  
 Seat Width 21  
 Arm Height 26.5  
 Com YD-Back: 1.75  
 Com YD-Seat: 0.75  
 Com YD-Arms: 1  
 Ship Weight 42  
 Cubic Feet 17

### COM

	1	2	3	4	5	6
<b>ONP21-OA</b>	<b>1183</b>	<b>1328</b>	<b>1477</b>	<b>1626</b>	<b>1781</b>	<b>1936</b>
<b>ONP21-CA</b>	<b>1346</b>	<b>1538</b>	<b>1734</b>	<b>1932</b>	<b>2134</b>	<b>2341</b>

**Options:** • CAL 133 \$98.00/seat • Moisture barrier \$85.00/seat

**Arm Caps:** • Wood: Standard • Polyurethane: \$135.00 list/pair • Rigid Polyester: NA • Solid Surface: NA



24" seat width

## Description

Patient chair - 24" seat width  
**Open Arms, Model No. ONP24-OA**  
**Closed Arms, Model No. ONP24-CA**  
 \* Add back shape code to model number:  
 • Square back (-SB)  
 • Round back (-RB)

## Dimensions

Width 27.5  
 Depth 25  
 Height 44.5  
 Seat Height 18.5  
 Seat Width 24  
 Arm Height 26.5  
 Com YD-Back: 1.75  
 Com YD-Seat: 0.75  
 Com YD-Arms: 1  
 Ship Weight 48  
 Cubic Feet 19

### COM

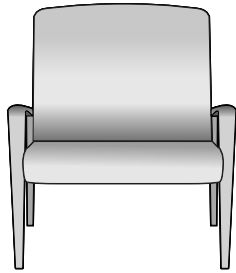
	1	2	3	4	5	6
<b>ONP24-OA</b>	<b>1246</b>	<b>1389</b>	<b>1536</b>	<b>1684</b>	<b>1836</b>	<b>1989</b>
<b>ONP24-CA</b>	<b>1407</b>	<b>1595</b>	<b>1788</b>	<b>1983</b>	<b>2183</b>	<b>2386</b>

**Options:** • CAL 133 \$98.00/seat • Moisture barrier \$85.00/seat

**Arm Caps:** • Wood: Standard • Polyurethane: \$135.00 list/pair • Rigid Polyester: NA • Solid Surface: NA

# Onward Seating Collection

Different fabrics may be specified on the seat and on the back. In this case, use the higher grade of the two. No additional upcharge applies.



31" seat width

## Description

Bariatric patient chair - 31" seat width  
**Open arms, Model No. ONP-31-OA**  
**Closed arms, Model No. ONP-31-CA**  
 \* Add back shape code to model number:  
 • Square back (-SB)  
 • Round back (-RB)

## Dimensions

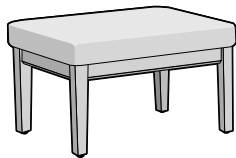
Width 33.5  
 Depth 26.5  
 Height 45.5  
 Seat Height 18.5  
 Seat Width 31  
 Arm Height 26  
 Com YD-Back: 2.5  
 Com YD-Seat: 1.25  
 Ship Weight 58  
 Cubic Feet 24

### COM

	1	2	3	4	5	6
<b>ONP-31-OA</b>	<b>1394</b>	<b>1539</b>	<b>1687</b>	<b>1836</b>	<b>1990</b>	<b>2144</b>
<b>ONP-31-CA</b>	<b>1450</b>	<b>1661</b>	<b>1875</b>	<b>2094</b>	<b>2316</b>	<b>2542</b>

**Options:** • CAL 133 \$98.00 • Moisture barrier \$85.00/seat

**Arm Caps:** • Wood: Standard • Polyurethane: \$135.00 list/pair • Rigid Polyester: NA • Solid Surface: NA



## Description

Foot rest  
**Model No. ONFR**  
 (for use with both 21" and 24" chair models)

## Dimensions

Width 19  
 Depth 15  
 Height 13  
 Com YD: 0.75  
 Ship Weight 15  
 Cubic Feet 3

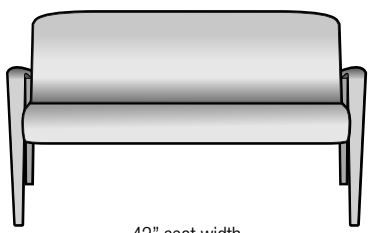
### COM

	1	2	3	4	5	6
<b>ONFR</b>	<b>516</b>	<b>542</b>	<b>568</b>	<b>597</b>	<b>626</b>	<b>653</b>

**Options:** • CAL 133 \$45.00

# Onward Seating Collection

Different fabrics may be specified on the seat and on the back. In this case, use the higher grade of the two. No additional upcharge applies.

	Description	Dimensions
 <p data-bbox="267 567 381 598">42" seat width</p>	<p data-bbox="617 346 836 378">Settee chair - 42" seat width</p> <p data-bbox="617 388 901 420"><b>Open arms, Model No. ONS-42-OA</b></p> <p data-bbox="617 420 909 451"><b>Closed arms, Model No. ONS-42-CA</b></p> <p data-bbox="617 462 933 493">* Add back shape code to model number:</p> <ul data-bbox="617 493 779 556" style="list-style-type: none"> <li>• Square back (-SB)</li> <li>• Round back (-RB)</li> </ul>	<p data-bbox="1291 346 1388 378">Width 45.5</p> <p data-bbox="1291 378 1380 409">Depth 25</p> <p data-bbox="1291 409 1396 441">Height 34.25</p> <p data-bbox="1266 441 1412 472">Seat Height 18.5</p> <p data-bbox="1274 472 1404 504">Seat Width 42</p> <p data-bbox="1274 504 1404 535">Arm Height 26</p> <p data-bbox="1258 535 1421 567">Com YD-Back: 2.5</p> <p data-bbox="1258 567 1421 598">Com YD-Seat: 1.5</p> <p data-bbox="1266 598 1412 630">Com YD-Arms: 1</p> <p data-bbox="1274 630 1404 661">Ship Weight 52</p> <p data-bbox="1274 661 1404 693">Cubic Feet 25</p>

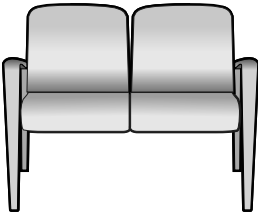
	COM					
	1	2	3	4	5	6
<b>ONS-42-OA</b>	1596	1782	1971	2163	2359	2557
<b>ONS-42-CA</b>	1760	1981	2206	2435	2668	2905

**Options:** • CAL 133 \$196.00 • Moisture barrier \$170.00/seat

**Arm Caps:** • Wood: Standard • Polyurethane: \$135.00 list/pair • Rigid Polyester: NA • Solid Surface: NA

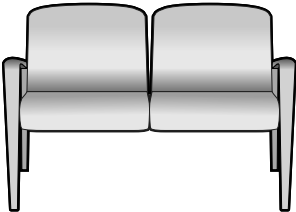
# Onward Seating Collection

Different fabrics may be specified on the seat and on the back. In this case, use the higher grade of the two. No additional upcharge applies.

	Description		Dimensions				
 <p>21" seat width</p>	Two-seat span (no center arm) - 21" seat width		Width 45.5				
	<b>Open Arms, Model No. ON221N-OA</b> <b>Closed Arms, Model No. ON221N-CA</b> * Add back shape code to model number: • Square back (-SB) • Round back (-RB)		Depth 25				
			Height 34.25				
			Seat Height 18.5				
			Seat Width 21				
			Arm Height 26.5				
			Com YD-Backs: 2.5				
			Com YD-Seats: 1.5				
			Com YD-Arms: 1				
			Ship Weight 50				
			Cubic Feet 26				
	<b>COM</b>						
		<b>1</b>	<b>2</b>	<b>3</b>	<b>4</b>	<b>5</b>	<b>6</b>
<b>ON221N-OA</b>		<b>1469</b>	<b>1645</b>	<b>1824</b>	<b>2007</b>	<b>2193</b>	<b>2382</b>
<b>ON221N-CA</b>		<b>1632</b>	<b>1855</b>	<b>2081</b>	<b>2312</b>	<b>2547</b>	<b>2786</b>

**Options:** • CAL 133 \$98.00/seat • Moisture barrier \$85.00/seat

**Arm Caps:** • Wood: Standard • Polyurethane: \$135.00 list/pair • Rigid Polyester: NA • Solid Surface: NA

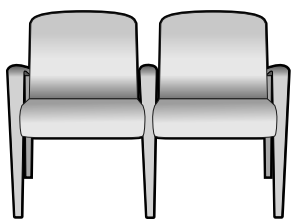
	Description		Dimensions				
 <p>24" seat width</p>	Two-seat span (no center arm) - 24" seat width		Width 51.5				
	<b>Open Arms, Model No. ON224N-OA</b> <b>Closed Arms, Model No. ON224N-CA</b> * Add back shape code to model number: • Square back (-SB) • Round back (-RB)		Depth 25				
			Height 34.25				
			Seat Height 18.5				
			Seat Width 24				
			Arm Height 26.5				
			Com YD-Backs: 2.5				
			Com YD-Seats: 1.5				
			Com YD-Arms: 1				
			Ship Weight 58				
			Cubic Feet 28				
	<b>COM</b>						
		<b>1</b>	<b>2</b>	<b>3</b>	<b>4</b>	<b>5</b>	<b>6</b>
<b>ON224N-OA</b>		<b>1559</b>	<b>1732</b>	<b>1907</b>	<b>2090</b>	<b>2273</b>	<b>2459</b>
<b>ON224N-CA</b>		<b>1719</b>	<b>1938</b>	<b>2161</b>	<b>2389</b>	<b>2828</b>	<b>2644</b>

**Options:** • CAL 133 \$98.00/seat • Moisture barrier \$85.00/seat

**Arm Caps:** • Wood: Standard • Polyurethane: \$135.00 list/pair • Rigid Polyester: NA • Solid Surface: NA

# Onward Seating Collection

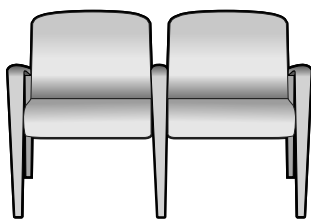
Different fabrics may be specified on the seat and on the back. In this case, use the higher grade of the two. No additional upcharge applies.

	Description	Dimensions
 <p data-bbox="227 567 341 598">21" seat width</p>	<p data-bbox="617 346 974 378">Two-seater with full center leg - 21" seat width</p> <p data-bbox="617 388 901 420"><b>Open Arms, Model No. ON221F-OA</b></p> <p data-bbox="617 420 917 451"><b>Closed Arms, Model No. ON221F-CA</b></p> <p data-bbox="617 462 933 493">* Add back shape code to model number:</p> <ul data-bbox="617 493 779 556" style="list-style-type: none"> <li>• Square back (-SB)</li> <li>• Round back (-RB)</li> </ul>	<p data-bbox="1291 346 1388 378">Width 47.5</p> <p data-bbox="1291 378 1380 409">Depth 25</p> <p data-bbox="1291 409 1396 441">Height 34.25</p> <p data-bbox="1291 441 1404 472">Seat Height 18.5</p> <p data-bbox="1291 472 1396 504">Seat Width 21</p> <p data-bbox="1291 504 1404 535">Arm Height 26.5</p> <p data-bbox="1291 535 1412 567">Com YD-Backs: 2.5</p> <p data-bbox="1291 567 1412 598">Com YD-Seats: 1.5</p> <p data-bbox="1291 598 1412 630">Com YD-Arms: 1.5</p> <p data-bbox="1291 630 1396 661">Ship Weight 56</p> <p data-bbox="1291 661 1396 693">Cubic Feet 26</p>

	COM					
	1	2	3	4	5	6
ON221F-OA	1745	1924	2106	2291	2479	2669
ON221F-CA	1989	2192	2420	2658	2894	3131

**Options:** • CAL 133 \$98.00/seat • Moisture barrier \$85.00/seat

**Arm Caps:** • Wood: Standard • Polyurethane: \$203.00 list/set of 3 • Rigid Polyester: NA • Solid Surface: NA

	Description	Dimensions
 <p data-bbox="235 1386 349 1417">24" seat width</p>	<p data-bbox="617 1165 974 1197">Two-seater with full center leg - 24" seat width</p> <p data-bbox="617 1207 901 1239"><b>Open Arms, Model No. ON224F-OA</b></p> <p data-bbox="617 1239 917 1270"><b>Closed Arms, Model No. ON224F-CA</b></p> <p data-bbox="617 1281 933 1312">* Add back shape code to model number:</p> <ul data-bbox="617 1312 779 1375" style="list-style-type: none"> <li>• Square back (-SB)</li> <li>• Round back (-RB)</li> </ul>	<p data-bbox="1291 1165 1388 1197">Width 53.5</p> <p data-bbox="1291 1197 1380 1228">Depth 25</p> <p data-bbox="1291 1228 1396 1260">Height 34.25</p> <p data-bbox="1291 1260 1404 1291">Seat Height 18.5</p> <p data-bbox="1291 1291 1396 1323">Seat Width 24</p> <p data-bbox="1291 1323 1404 1354">Arm Height 26.5</p> <p data-bbox="1291 1354 1412 1386">Com YD-Backs: 2.5</p> <p data-bbox="1291 1386 1412 1417">Com YD-Seats: 1.5</p> <p data-bbox="1291 1417 1412 1449">Com YD-Arms: 1.5</p> <p data-bbox="1291 1449 1396 1480">Ship Weight 66</p> <p data-bbox="1291 1480 1396 1512">Cubic Feet 29</p>

	COM					
	1	2	3	4	5	6
ON224F-OA	1829	2005	2185	2368	2554	2740
ON224F-CA	2069	2268	2493	2727	2960	3194

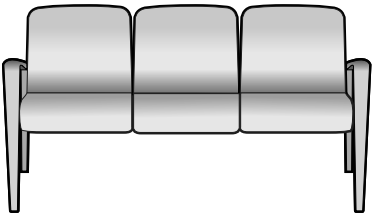
**Options:** • CAL 133 \$98.00/seat • Moisture barrier \$85.00/seat

**Arm Caps:** • Wood: Standard • Polyurethane: \$203.00 list/set of 3 • Rigid Polyester: NA • Solid Surface: NA



# Onward Seating Collection

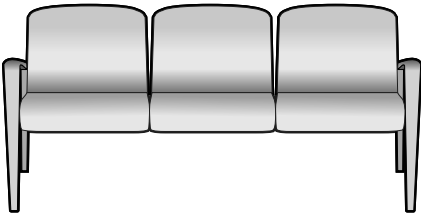
Different fabrics may be specified on the seat and on the back. In this case, use the higher grade of the two. No additional upcharge applies.

	Description	Dimensions
 <p data-bbox="272 573 381 598">21" seat width</p>	<p data-bbox="620 352 998 378">Three-seat span (no center arms) - 21" seat width</p> <p data-bbox="620 394 901 420"><b>Open Arms, Model No. ON321N-OA</b></p> <p data-bbox="620 424 917 449"><b>Closed Arms, Model No. ON321N-CA</b></p> <p data-bbox="620 466 933 491">* Add back shape code to model number:</p> <ul data-bbox="620 508 771 556" style="list-style-type: none"> <li>• Square back (-SB)</li> <li>• Round back (-RB)</li> </ul>	<p data-bbox="1302 352 1372 378">Width 67</p> <p data-bbox="1302 382 1372 407">Depth 25</p> <p data-bbox="1286 411 1388 436">Height 34.25</p> <p data-bbox="1269 441 1404 466">Seat Height 18.5</p> <p data-bbox="1286 470 1388 495">Seat Width 21</p> <p data-bbox="1269 499 1404 525">Arm Height 26.5</p> <p data-bbox="1258 541 1421 567">Com YD-Backs: 3.75</p> <p data-bbox="1258 571 1421 596">Com YD-Seats: 2.25</p> <p data-bbox="1269 600 1404 625">Com YD-Arms: 1</p> <p data-bbox="1269 630 1404 655">Ship Weight 70</p> <p data-bbox="1286 659 1388 684">Cubic Feet 40</p>

	COM					
	1	2	3	4	5	6
<b>ON321N-OA</b>	2117	2406	2701	3001	3305	3618
<b>ON321N-CA</b>	2280	2616	2958	3306	3660	4022

**Options:** • CAL 133 \$98.00/seat • Moisture barrier \$85.00/seat

**Arm Caps:** • Wood: Standard • Polyurethane: \$135.00 list/pair • Rigid Polyester: NA • Solid Surface: NA

	Description	Dimensions
 <p data-bbox="295 1392 406 1417">24" seat width</p>	<p data-bbox="620 1171 998 1197">Three-seat span (no center arms) - 24" seat width</p> <p data-bbox="620 1213 901 1239"><b>Open Arms, Model No. ON324N-OA</b></p> <p data-bbox="620 1243 917 1268"><b>Closed Arms, Model No. ON324N-CA</b></p> <p data-bbox="620 1285 933 1310">* Add back shape code to model number:</p> <ul data-bbox="620 1327 771 1375" style="list-style-type: none"> <li>• Square back (-SB)</li> <li>• Round back (-RB)</li> </ul>	<p data-bbox="1302 1171 1372 1197">Width 76</p> <p data-bbox="1302 1201 1372 1226">Depth 25</p> <p data-bbox="1286 1230 1388 1255">Height 34.25</p> <p data-bbox="1269 1260 1404 1285">Seat Height 18.5</p> <p data-bbox="1286 1289 1388 1314">Seat Width 24</p> <p data-bbox="1269 1318 1404 1344">Arm Height 26.5</p> <p data-bbox="1258 1360 1421 1386">Com YD-Backs: 3.75</p> <p data-bbox="1258 1390 1421 1415">Com YD-Seats: 2.25</p> <p data-bbox="1269 1419 1404 1444">Com YD-Arms: 1</p> <p data-bbox="1269 1449 1404 1474">Ship Weight 80</p> <p data-bbox="1286 1478 1388 1503">Cubic Feet 42</p>

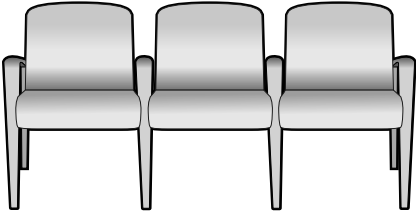
	COM					
	1	2	3	4	5	6
<b>ON324N-OA</b>	2276	2562	2853	3149	3450	3757
<b>ON324N-CA</b>	2436	2768	3104	3447	3797	4153

**Options:** • CAL 133 \$98.00/seat • Moisture barrier \$85.00/seat

**Arm Caps:** • Wood: Standard • Polyurethane: \$135.00 list/pair • Rigid Polyester: NA • Solid Surface: NA

# Onward Seating Collection

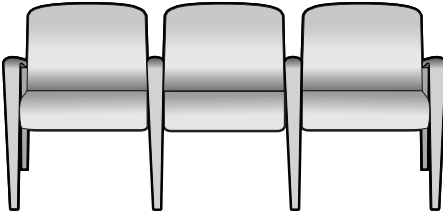
Different fabrics may be specified on the seat and on the back. In this case, use the higher grade of the two. No additional upcharge applies.

	Description	Dimensions
 <p data-bbox="292 592 406 613">21" seat width</p>	<p data-bbox="617 352 987 378">Three-seater with full center leg - 21" seat width</p> <p data-bbox="617 394 901 420"><b>Open Arms, Model No. ON321F-OA</b></p> <p data-bbox="617 424 912 449"><b>Closed Arms, Model No. ON321F-CA</b></p> <p data-bbox="617 466 933 491">* Add back shape code to model number:</p> <ul data-bbox="617 504 771 556" style="list-style-type: none"> <li>• Square back (-SB)</li> <li>• Round back (-RB)</li> </ul>	<p data-bbox="1299 352 1372 378">Width 70</p> <p data-bbox="1299 382 1372 407">Depth 25</p> <p data-bbox="1282 411 1388 436">Height 34.25</p> <p data-bbox="1266 441 1404 466">Seat Height 18.5</p> <p data-bbox="1282 470 1388 495">Seat Width 21</p> <p data-bbox="1266 499 1404 525">Arm Height 26.5</p> <p data-bbox="1250 541 1421 567">Com YD-Backs: 3.75</p> <p data-bbox="1250 571 1421 596">Com YD-Seats: 2.25</p> <p data-bbox="1266 600 1404 625">Com YD-Arms: 2</p> <p data-bbox="1266 630 1404 655">Ship Weight 78</p> <p data-bbox="1282 659 1388 684">Cubic Feet 42</p>

	COM					
	1	2	3	4	5	6
ON321F-OA	2544	2838	3131	3442	3745	4067
ON321F-CA	2868	3256	3646	4054	4451	4873

**Options:** • CAL 133 \$98.00/seat • Moisture barrier \$85.00/seat

**Arm Caps:** • Wood: Standard • Polyurethane: \$270.00 list/set of 4 • Rigid Polyester: NA • Solid Surface: NA

	Description	Dimensions
 <p data-bbox="305 1400 418 1421">24" seat width</p>	<p data-bbox="617 1171 987 1197">Three-seater with full center leg - 24" seat width</p> <p data-bbox="617 1213 901 1239"><b>Open Arms, Model No. ON324F-OA</b></p> <p data-bbox="617 1243 912 1268"><b>Closed Arms, Model No. ON324F-CA</b></p> <p data-bbox="617 1285 933 1310">* Add back shape code to model number:</p> <ul data-bbox="617 1323 771 1375" style="list-style-type: none"> <li>• Square back (-SB)</li> <li>• Round back (-RB)</li> </ul>	<p data-bbox="1299 1171 1372 1197">Width 78</p> <p data-bbox="1299 1201 1372 1226">Depth 25</p> <p data-bbox="1282 1230 1388 1255">Height 34.25</p> <p data-bbox="1266 1260 1404 1285">Seat Height 18.5</p> <p data-bbox="1282 1289 1388 1314">Seat Width 24</p> <p data-bbox="1266 1318 1404 1344">Arm Height 26.5</p> <p data-bbox="1250 1360 1421 1386">Com YD-Backs: 3.75</p> <p data-bbox="1250 1390 1421 1415">Com YD-Seats: 2.25</p> <p data-bbox="1266 1419 1404 1444">Com YD-Arms: 2</p> <p data-bbox="1266 1449 1404 1474">Ship Weight 88</p> <p data-bbox="1282 1478 1388 1503">Cubic Feet 44</p>

	COM					
	1	2	3	4	5	6
ON324F-OA	2701	2991	3286	3587	3890	4203
ON324F-CA	3015	3401	3790	4186	4582	4995

**Options:** • CAL 133 \$98.00/seat • Moisture barrier \$85.00/seat

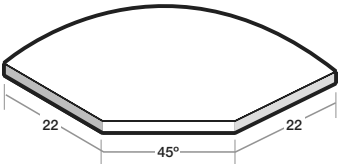
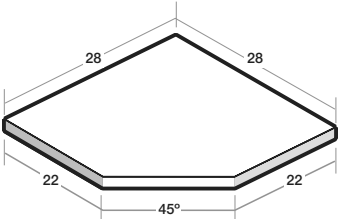
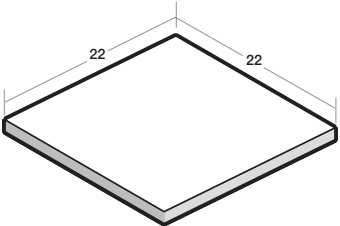
**Arm Caps:** • Wood: Standard • Polyurethane: \$270.00 list/set of 4 • Rigid Polyester: NA • Solid Surface: NA





# Onward Seating Collection

## Connecting Tables

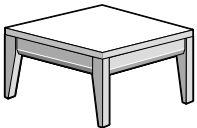
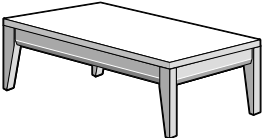
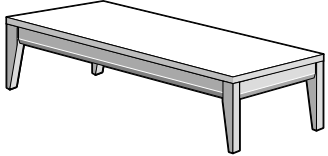
	Description	Price	Dimensions
	Radius corner table (includes two connecting brackets)		Width 28 Depth 28
	HPL with PVC edge <b>Model No. ONCT-90R-P</b>	590	Ship Weight 25 Cubic Feet 2
	HPL with Maple edge <b>Model No. ONCT-90R-M</b>	820	
	Solid Surface <b>Model No. ONCT-90R-S</b>	886	
	Square corner table (includes two connecting brackets and one support leg)		Width 28 Depth 28
	HPL with PVC edge <b>Model No. ONCT-90S-P</b>	590	Ship Weight 30 Cubic Feet 2
	HPL with Maple edge <b>Model No. ONCT-90S-M</b>	820	
	Solid Surface <b>Model No. ONCT-90S-S</b>	886	
	Square spacer table (includes two connecting brackets)		Width 22 Depth 22
	HPL with PVC edge <b>Model No. ONCT-SP-P</b>	434	Ship Weight 16 Cubic Feet 1
	HPL with Maple edge <b>Model No. ONCT-SP-M</b>	644	
	Solid Surface <b>Model No. ONCT-SP-S</b>	844	

Available in 8 standard laminate finishes. Please add suffix code to unit Model No.

- Candlelight (CL) • Cherry Blossom (CB) • Chocolate (CH) • Grenada (GR)
- Hardrock Maple (HM) • Mahogany (MA) • Rustic Cherry (RC) • Summer Flame (SF)

# Vista/Onward Seating Collection

## Free-Standing Tables

	Description	Price	Dimensions
	22 x 22 square table Height: 17 HPL with PVC edge <b>Model No. VF-222217-P</b>	643	Width 22 Depth 22 Height 17 Ship Weight 27 Cubic Feet 2
	HPL with Maple edge <b>Model No. VF-222217-M</b>	821	
	Solid Surface <b>Model No. VF-222217-S</b>	1022	
	22 x 36 rectangular table Height: 17 HPL with PVC edge <b>Model No. VF-223617-P</b>	795	Width 36 Depth 22 Height 17 Ship Weight 38 Cubic Feet 3
	HPL with Maple edge <b>Model No. VF-223617-M</b>	1029	
	Solid Surface <b>Model No. VF-223617-S</b>	1314	
	22 x 48 rectangular table Height: 17 HPL with PVC edge <b>Model No. VF-224817-P</b>	952	Width 48 Depth 22 Height 17 Ship Weight 48 Cubic Feet 4
	HPL with Maple edge <b>Model No. VF-224817-M</b>	1249	
	Solid Surface <b>Model No. VF-224817-S</b>	1589	