

onward

lounge seating collection



onward lounge

Onward's transitional style suits any healthcare lounge setting. The inner steel seat frame is anchored to wood end frames with metal-to-metal fasteners. Onward Lounge features a wall-saver rear leg, clean-out spacing and optional wood, polyurethane or solid surface arm caps. The line includes a single lounge chair; bariatric version and 2- and 3-seaters with or without intervening arms.

Features

- Limited Lifetime Warranty
- 14-gauge internal steel seat frame for enhanced structural integrity
- Wallsaver leg design protects walls from damage
- Clean-out space between seat and back
- Nylon glides protect floors from damage

Options

- CLEAN-SWEEP™ option for increased safety and cleanability
- Choice of wood, polyurethane or solid surface arm caps
- Contrasting fabrics
- CAL TB 133 Compliance
- Moisture Barrier



features



Optional armcaps available in wood, polyurethane or solid surface



Ample clean-out spacing between seat and back

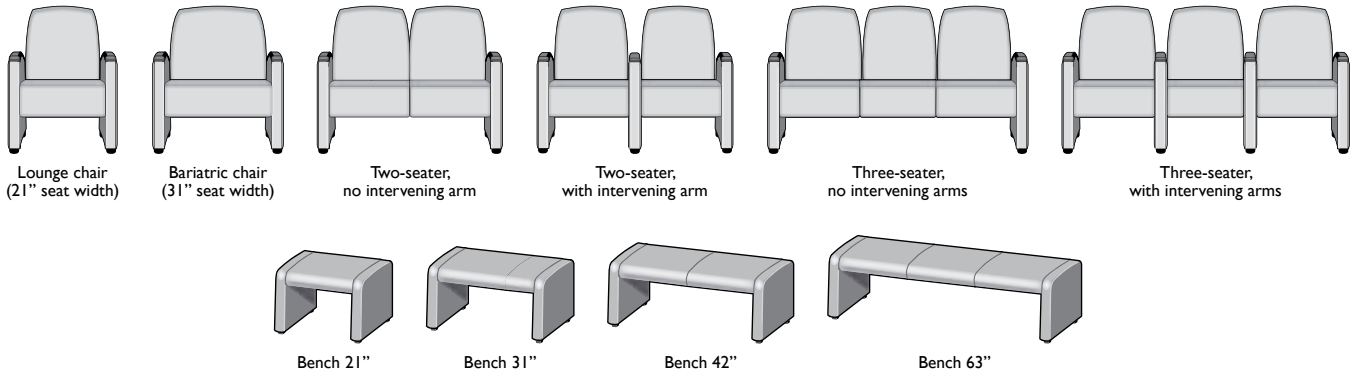


Wall saver rear leg design
protects wall from damage



Optional 3-way clean-out spacing

Statement of Line



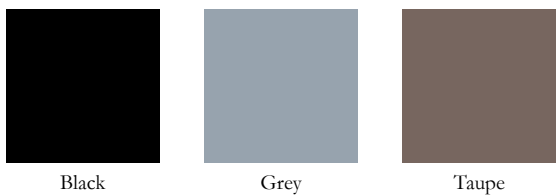
Dimensions:



Wood finish selection:



Polyurethane arm cap finishes:



STANCE | HEALTHCARE

45 Goodrich Drive Kitchener, ON N2C 0B8 tel 1.877.395.2623 fax 1.877.395.6270 stancehealthcare.com
S01-16 © Stance Healthcare Inc. all rights reserved.

